



PSC ETH Application Note: A491_2

Decimal point

Introduction:

PSC-ETH related programs based on LabVIEW need to work with the decimal point character (“.”).

When a program is made using fill in boxes for voltage or current settings and the fill in box visualizes a comma character (“,”). Then the operating system is configured with a comma as decimal separator.

Recognizing the problem:

The PSC-ETH will give the error “-220, Parameter error” when parameters are send using commas as decimal separator.

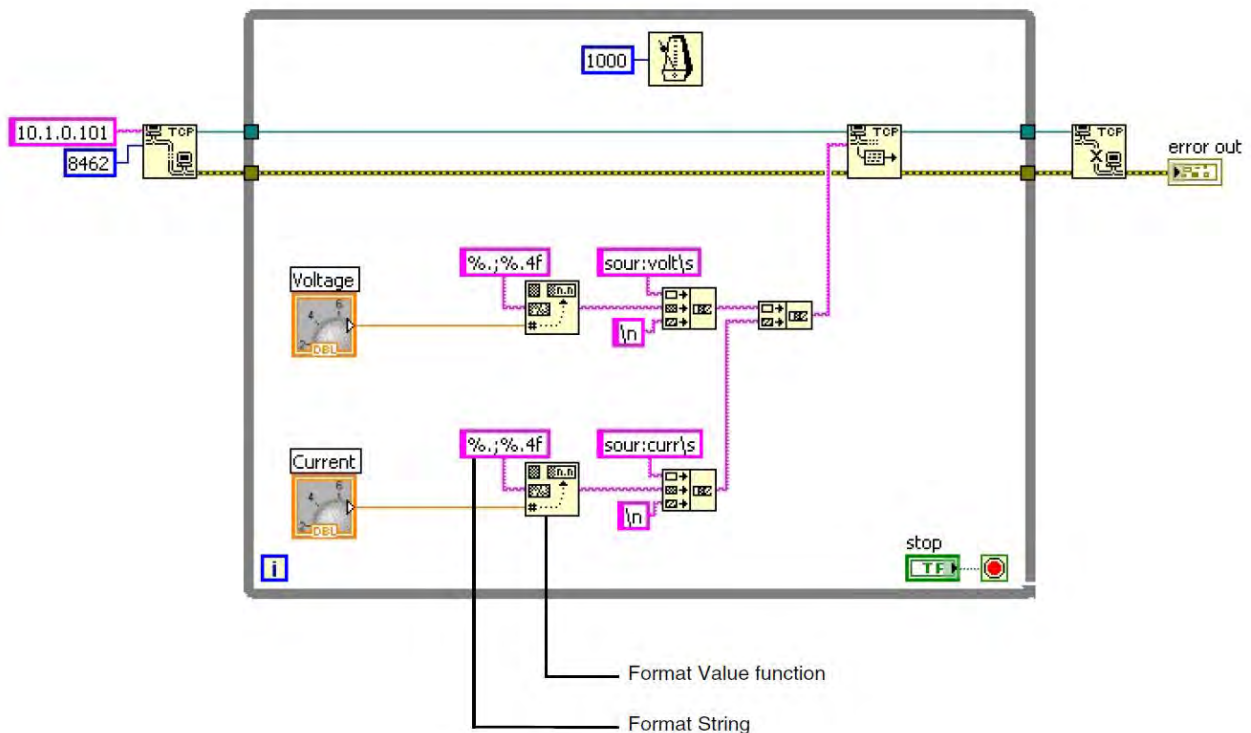
For example “SOURCE:VOLTAGE 2,5” instead of “SOURCE:VOLTAGE 2.5”. Use the command “SYSTEM:ERROR?” to read the error.

Method within LabVIEW:

The LabVIEW Format Value function can be used to explicitly use the dot as the decimal separator. See the picture below for an example on the necessary settings.

- The format string character set “%.,” sets the decimal separator to dot.
- The format string character set “%.4f” sets the digits of precision to 4.

“” Use without the quotation marks.



LabVIEW is a registered trademark of National Instruments.