
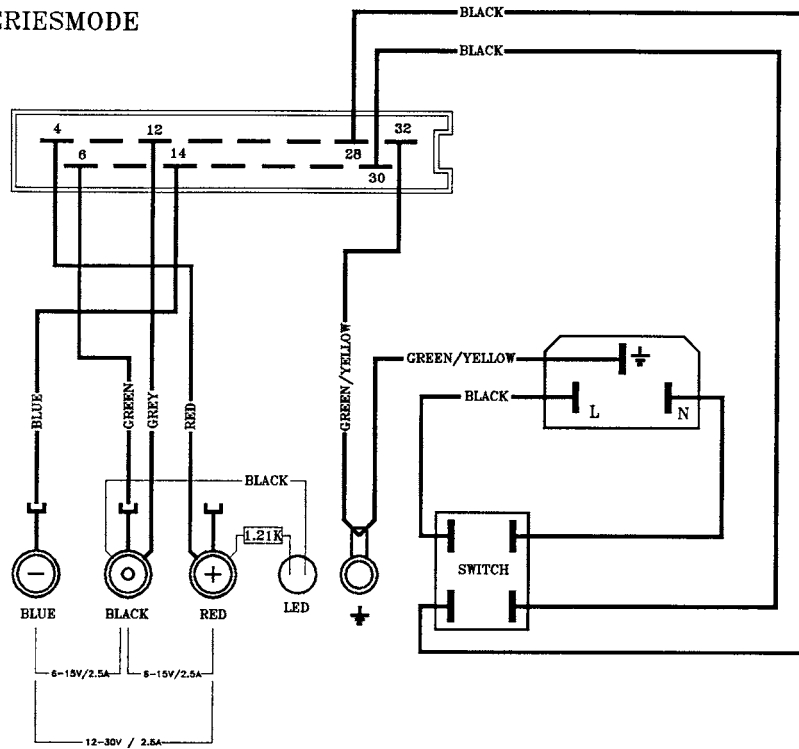
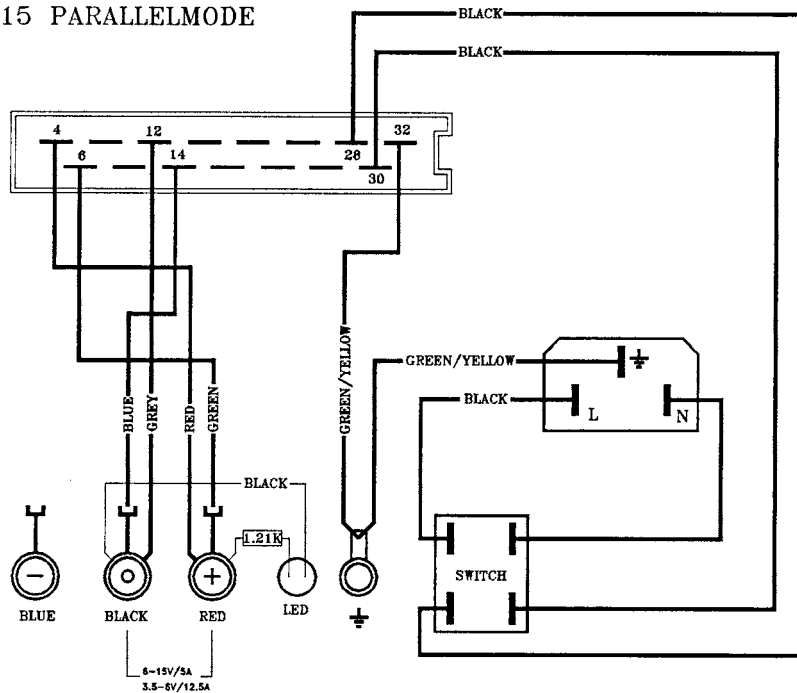



			Title: BA75	
			Date: 10-92	
Modifications	Date	App.	DELTA ELEKTRONIKA BV	

CONNECTION FOR 75SX15-15
DUAL OR SERIESMODE




CONNECTION FOR 75SX5
OR 75SX15-15 PARALLELMODE



			Title:	BA75	
			Date:		
Modifications	Date	App.	DELTA ELEKTRONIKA BV		

-15V 2.5A	0	+15V 2.5A	-15V 2.5A	0	+15V 2.5A	-15V 2.5A	0	+15V 2.5A
-12V 2.5A	0	+12V 2.5A	-12V 2.5A	0	+12V 2.5A	-12V 2.5A	0	+12V 2.5A
	0	+15V 5A		0	+15V 5A		0	+15V 5A
	0	+12V 5A		0	+12V 5A		0	+12V 5A
	0	+5V 13A		0	+5V 13A		0	+5V 13A
	0	+6V 13A		0	+6V 13A		0	+6V 13A
- V 2.5A	0	+ V 2.5A	- V 2.5A	0	+ V 2.5A	- V 2.5A	0	+ V 2.5A
	0	+ V 5A		0	+ V 5A		0	+ V 5A
	0	+ V 13A		0	+ V 13A		0	+ V 13A
-15V 2.5A	0	+15V 2.5A	-15V 2.5A	0	+15V 2.5A	-15V 2.5A	0	+15V 2.5A
-12V 2.5A	0	+12V 2.5A	-12V 2.5A	0	+12V 2.5A	-12V 2.5A	0	+12V 2.5A
	0	+15V 5A		0	+15V 5A		0	+15V 5A
	0	+12V 5A		0	+12V 5A		0	+12V 5A
	0	+5V 13A		0	+5V 13A		0	+5V 13A
	0	+6V 13A		0	+6V 13A		0	+6V 13A
- V 2.5A	0	+ V 2.5A	- V 2.5A	0	+ V 2.5A	- V 2.5A	0	+ V 2.5A
	0	+ V 5A		0	+ V 5A		0	+ V 5A
	0	+ V 13A		0	+ V 13A		0	+ V 13A

			Title: LA207	
			75SX--SERIES	
			Date: 20-07-92	
Modifications	Date	App.	DELTA ELEKTRONIKA BV	

